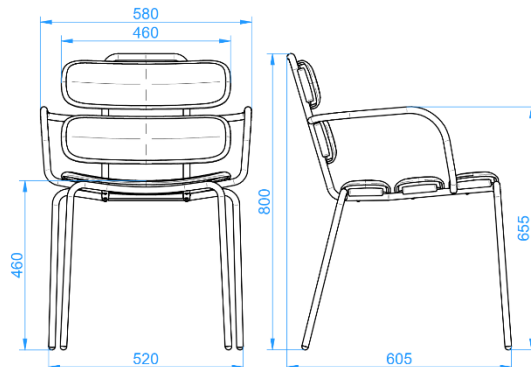


4 GAMBE CON BRACCIOLI | 4 LEGS WITH ARMS



IMBALLO | PACKAGING

50 pcs Pallet 114x114  
Volume [m3 x1]: 0,08

STRUTTURA PER INTERNI /  
FRAME FOR INDOOR



Cromo  
Chrome

STRUTTURA PER ESTERNI /  
FRAME FOR OUTDOOR



Nero  
Black



Avorio  
Ivory



Grigio  
Grey



Verde  
Green



Giallo  
Yellow



Rosso  
Red

- Gambe anteriori/posteriori + seduta/schienale + braccioli: tubo tondo Ø18x2 asform lucido crom.in acciaio saldato ad H.F. E420-CR2-S3 EN 10305-3
- Trasverso posteriore: lamiera decappata S235JR EN 10025-2:2005
- Front/rear legs + seat/back + arms: tube Ø18x2 asform bright for chrome plating carbon steel welded tubes from cold-rolled strip E420-CR2-S3 EN 10305-3
- Rear crossbar: pickled sheet S235JR EN 10025-2:2005

Peso / weight [Kg x1]: 4,40

ACCESSORI / ACCESSORIES

TI18-puntale alet.testa sferica Ø18 nero / TI18-cap Ø18 spherical head black  
PIT-paracolpi c/incavo in pvc / PIT-buffers with hole in PVC

IMPILABILITA' / STACKABILITY

Senza copertina / Without cover under seat

Con copertina / With cover under seat

Senza carrello [UN] / without trolley [UN]	Con carrello [UN] / with trolley [UN]	Senza carrello [UN] / without trolley [UN]	Con carrello [UN] / with trolley [UN]
10	xxx	NO	NO
agganci laterali / lateral hook		NO	
interasse min. senza aggancio / min. distance between chairs center without lateral hook		580 mm	
interasse max. con aggancio / max. distance between chairs center with lateral hook		NO	